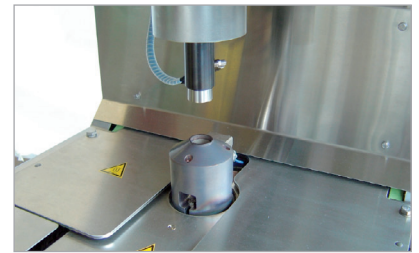


Sealer for *Research & Development* and *industrial pilot trials* as well as for *product sampling*

The Rychiger Pilot R&D Sealer exactly reproduces all sealing process parameters and characteristics of a industrial production machine. All obtained results can be up-scaled and are transferable into other industrial production systems. The specially designed sealing system achieves high pressure, short dwell times and tooling temperature up to 350° C. This results in highest seal integrity and best peel characteristics.



Sealing tools



Ring Material

- Aluminum
- Tin
- Tin Free Steel
- Steel lacquered

Container Material

- Plastic retortable multilayer
- Plastic monolayer
- Aluminium lacquered
- Aluminium PP coated
- Steel lacquered / coated
- Composite heatsealable

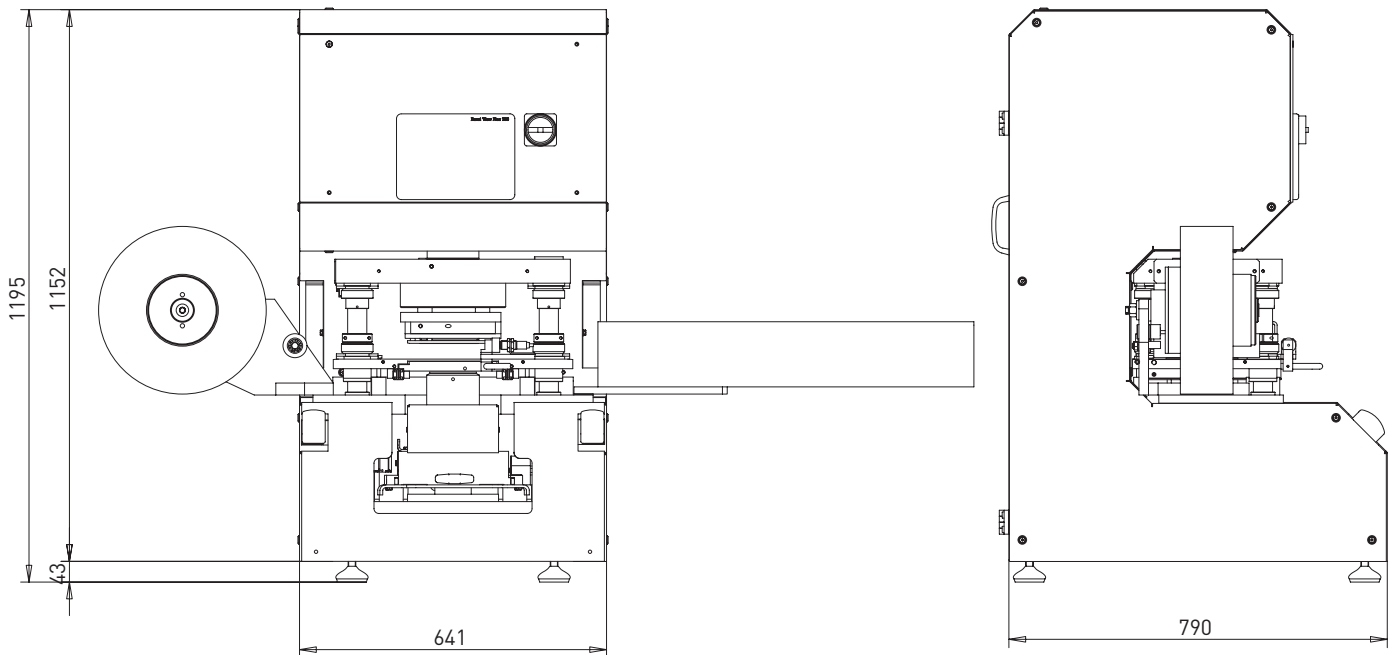
Membrane Material

- Plastic (multilayer-film)
- Aluminium lacquered
- Aluminium PP coated
- Paper laminated foil

Important Characteristics

- Seal pressure, -time and -temperature are adjustable to allow testing a wide range of sealing configurations and parameters.
- User friendly touch screen for all settings, monitoring and scientific recording of all sealing process parameters.
- Exact reproduction of sealing parameters and characteristics for up-scaling to industrial production machines without a full second qualification process.
- The mechanically driven sealing system achieves precisely defined sealing forces from 200N up to 30 000N over the full dwell time and with 100% repeatability.
- Sealing time adjustable from a very short 0,1s up to 180s.
- Rychiger sealing system for sealing temperatures up to 350° C for top and/or bottom tooling.

Pilot R&D Sealer



Technical Data

Max. Dimensions [mm]	Weight* [kg]	Electrical Supply	Process Air	Cooling Water
Container Ø 10–Ø 170 Height 150	~ 500	3 × 400V/50Hz 3 × 460V/60Hz approx. 6kW	min. 5 bar, ~ 10 l/min	~ 2 l/min
Ends up to Ø 153,5 (603)				

* The total weight depends on the layout configuration

Standard Equipment

- Touch screen operation panel
- Manual loading
- Rychiger sealing system with sealing tool heating for top and/or bottom.
- Controls on all important functions
- Inbuilt electrical cabinet
- Rigid machine frame

Options

- Lid material reel unwind and feeding system
- Lid punching system in the sealing station
- Inside lid cutting technology
- Print register control on roll-stock infeed
- Evacuation of headspace
- Gas or steam flush



Hans Rychiger AG

Alte Bernstrasse 135 Postfach 42

3613 Steffisburg Switzerland

Tel. +41 33 439 68 68 Fax +41 33 439 68 88

rychiger@rychiger.com www.rychiger.com